

OCF50-M00091EN

Introduction

1. This parts catalog for 4JH80, 4JH110 is published as a revised edition.

| | Date of issue | Remarks |
|---------------------|---------------|---------|
| First edition | July, 2014 | No need |
| 1st revised edition | Mar., 2018 | |

2. This parts catalog does not contain the technical data needed for maintenance service.

3. The illustrations used in this parts catalog have been simplified for clarity.

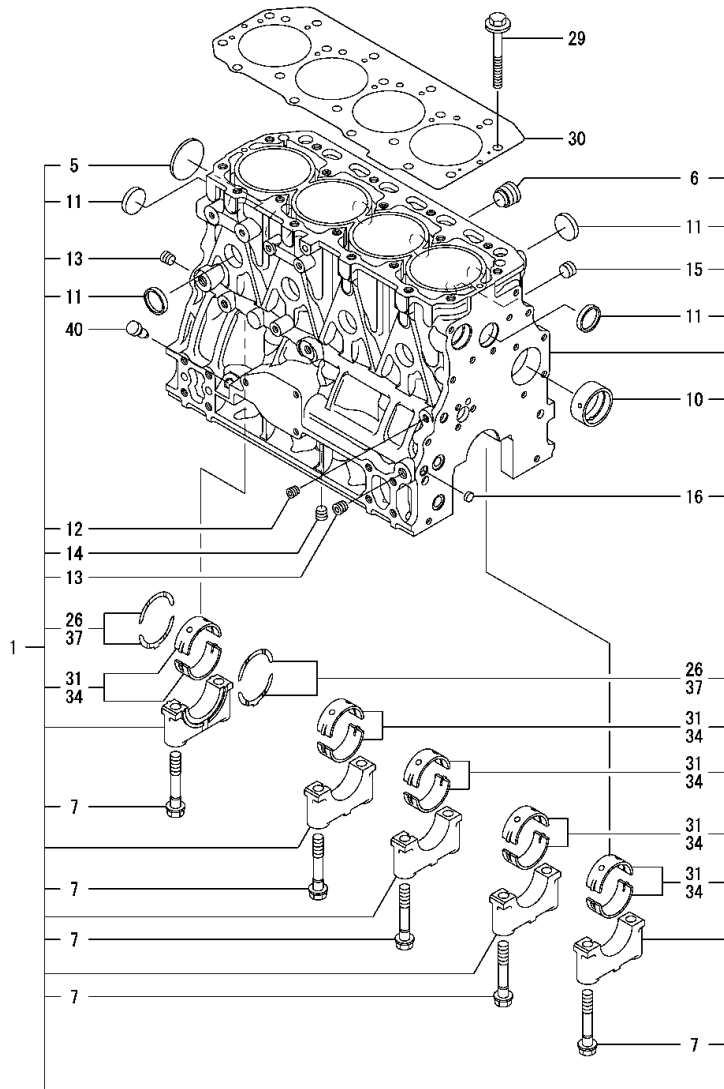
4. The contents of this parts catalog are subject to change without notice.

5. Be sure to use only Yanmar genuine parts for repairs. If imitation parts are used, it may cause engine defects.

Fig.1. CYLINDER BLOCK

(A)=4JH80
(B)=4JH110
(C)=

(D)=
(E)=
(F)=



| No. | Lev. | Parts No. | Description | Q'ty | | | | | | I | R |
|-----|------|--------------|----------------------|------|-----|-----|-----|-----|-----|---|---|
| | | | | (A) | (B) | (C) | (D) | (E) | (F) | | |
| 1 | 1 | 129677-01560 | BLOCK ASSY, CYLINDER | 1 | 1 | | | | | | |
| 5 | 3 | 129001-01250 | PLUG, 50 | 1 | 1 | | | | | | |
| 6 | 3 | 171051-01921 | PLUG, NPTF1 | 1 | 1 | | | | | | |
| 7 | 3 | 129150-02020 | BOLT, METAL CAP | 10 | 10 | | | | | | |
| 10 | 3 | 129795-02412 | BUSH, CAMSHAFT | 1 | 1 | | | | | | |
| 11 | 3 | 27241-300000 | PLUG 30 | 8 | 8 | | | | | | |
| 12 | 2 | 124060-01050 | PLUG, PT1/8 | 1 | 1 | | | | | | |
| 13 | 2 | 124160-01910 | PLUG, PT1/4 | 2 | 2 | | | | | | |
| 14 | 2 | 124160-01910 | PLUG, PT1/4 | 1 | 1 | | | | | | |
| 15 | 2 | 23875-030000 | PLUG, R03 | 1 | 1 | | | | | | |
| 16 | 2 | 27241-120000 | PLUG, 12 | 1 | 1 | | | | | | |
| 26 | 2 | 129150-02931 | METAL ASSY, THRUST | 2 | 2 | | | | | | |
| 29 | 1 | 129150-01200 | BOLT, CYLINDER HEAD | 18 | 18 | | | | | | |
| 30 | 1 | 129693-01341 | GASKET, HEAD | 1 | 1 | | | | | | |
| 31 | 1 | 129001-02931 | METAL ASSY, MAIN | 5 | 5 | | | | | | 1 |
| 34 | 1 | 129150-02871 | METAL ASSY, MAIN .25 | 5 | 5 | | | | | | 2 |
| 37 | 1 | 129150-02941 | METAL ASSY, 0.25 OS | 1 | 1 | | | | | | 3 |
| 40 | 1 | 124976-34850 | PLUG | 1 | 1 | | | | | | |

Remarks

- (1) Spare parts.
- (2) Under-sized (U.S.=0.25) parts.
- (3) Over-sized (O.S.=0.25) parts.