

OCF50-M00081EN

# Introduction

1. This parts catalog for 4JH45, 4JH57 is published as a revised edition.

	Date of issue	Remarks
First edition	July, 2014	No need
1st revised edition	Mar., 2018	

2. This parts catalog does not contain the technical data needed for maintenance service.

3. The illustrations used in this parts catalog have been simplified for clarity.

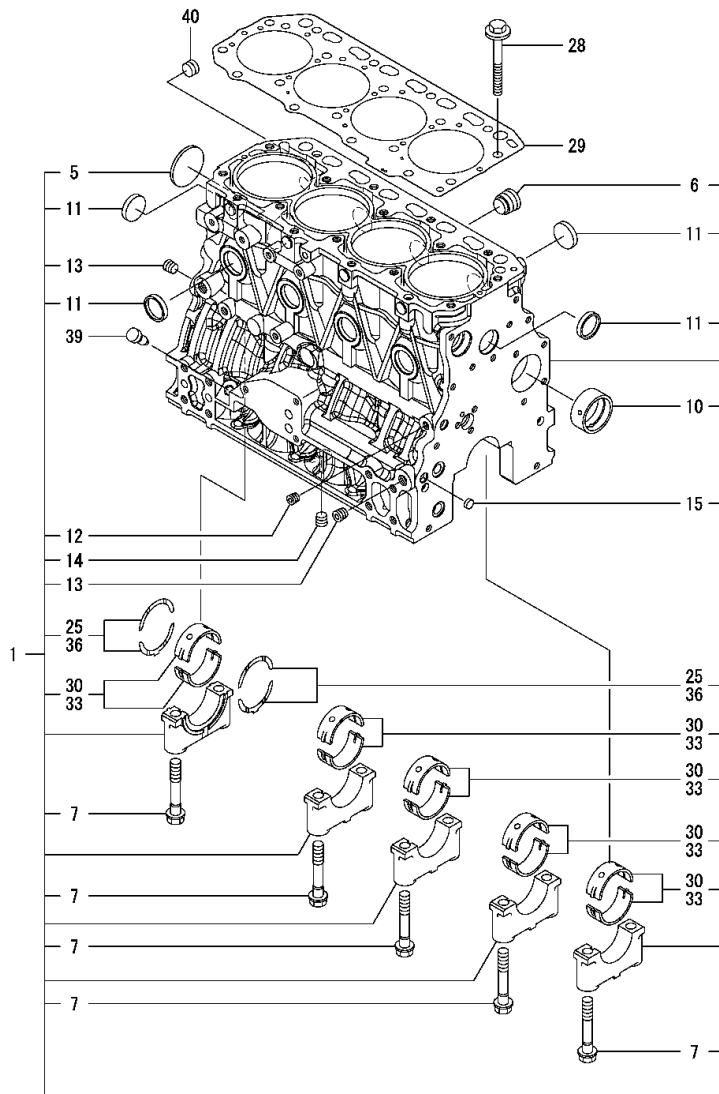
4. The contents of this parts catalog are subject to change without notice.

5. Be sure to use only Yanmar genuine parts for repairs. If imitation parts are used, it may cause engine defects.

Fig.1. CYLINDER BLOCK

(A)=4JH45  
(B)=4JH57  
(C)=

(D)=  
(E)=  
(F)=



No.	Lev.	Parts No.	Description	Q'ty						I	R
				(A)	(B)	(C)	(D)	(E)	(F)		
1	1	129C00-01560	BLOCK ASSY, CYLINDER	1	1						
5	3	129001-01250	PLUG, 50	1	1						
6	3	171051-01921	PLUG, NPTF1	1	1						
7	3	129150-02020	BOLT, METAL CAP	10	10						
10	3	129795-02412	BUSH, CAMSHAFT	1	1						
11	3	27241-300000	PLUG 30	8	8						
12	2	124060-01050	PLUG, PT1/8	1	1						
13	2	124160-01910	PLUG, PT1/4	2	2						
14	2	124160-01910	PLUG, PT1/4	1	1						
15	2	27241-120000	PLUG, 12	1	1						
25	2	129150-02931	METAL ASSY, THRUST	2	2						
28	1	129150-01200	BOLT, CYLINDER HEAD	18	18						
29	1	129685-01350	GASKET, HEAD	1	1						
30	1	129001-02931	METAL ASSY, MAIN	5	5						1
33	1	129150-02871	METAL ASSY, MAIN .25	5	5						2
36	1	129150-02941	METAL ASSY, 0.25 OS	1	1						3
39	1	124976-34850	PLUG	1	1						
40	1	23875-030000	PLUG, R03	1	1						

Remarks

- (1) Spare parts.
- (2) Under-sized (U.S.=0.25) parts.
- (3) Over-sized (O.S.=0.25) parts.