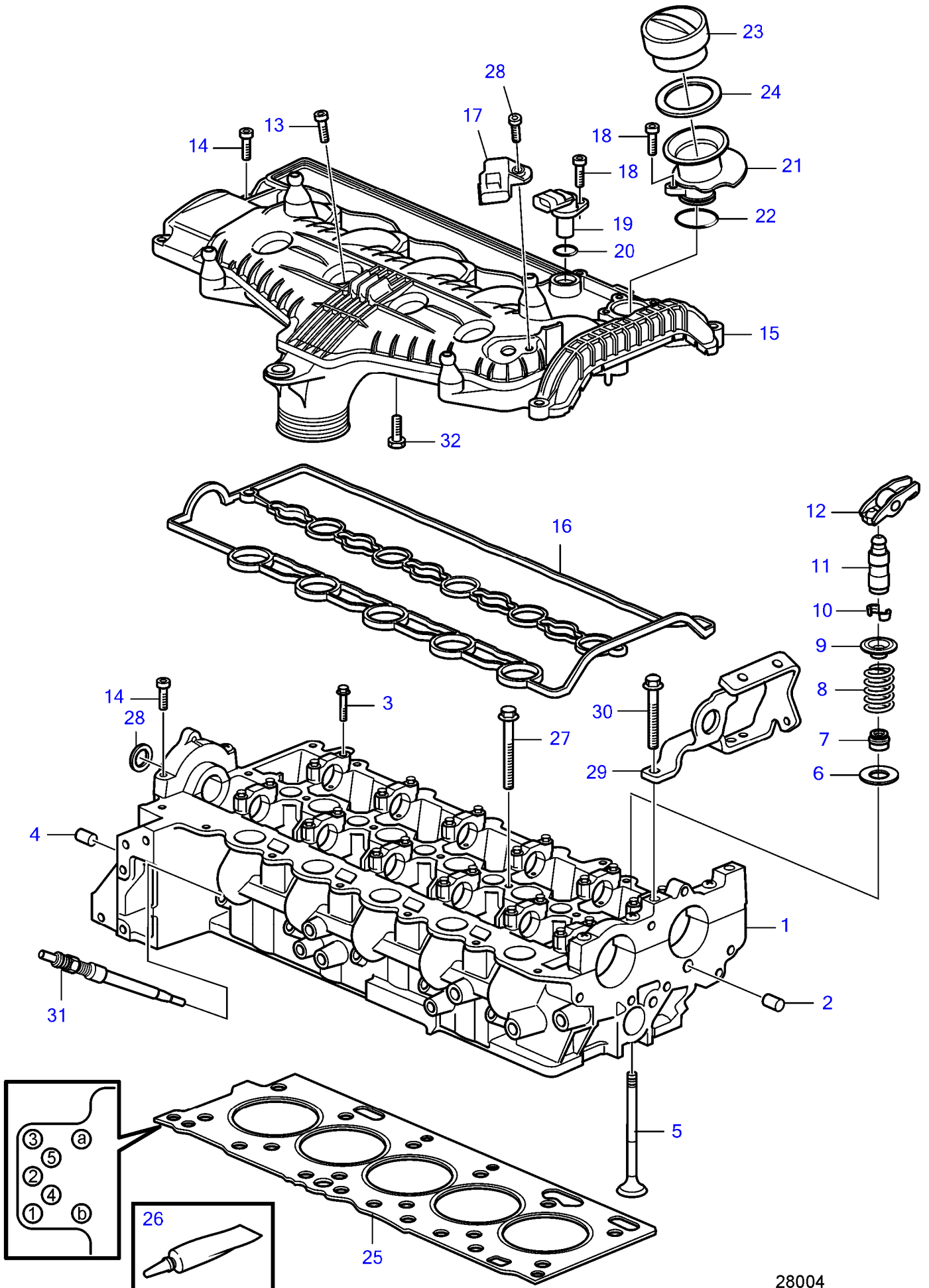


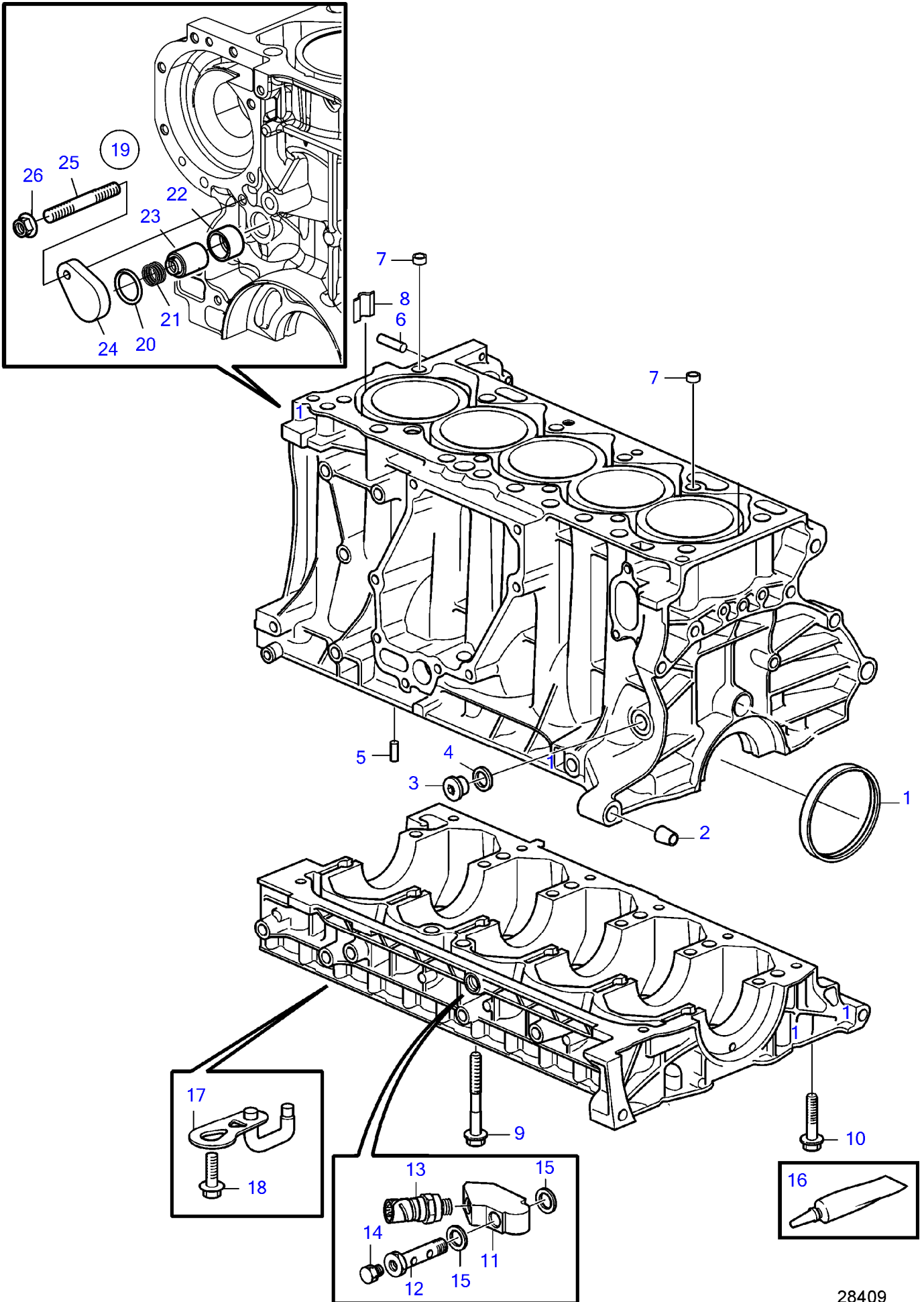
D3-110I-H, D3-140A-H, D3-140I-H, D3-150I-H, D3-170A-H, D3-170I-H, D3-200A-H, D3-200I-H, D3-220A-H, D3-220I-H



D3-110I-H, D3-140A-H, D3-140I-H, D3-150I-H, D3-170A-H, D3-170I-H, D3-200A-H, D3-200I-H, D3-220A-H, D3-220I-H

REF	PART NO.	QTY	DESCRIPTION	NOTES
1	3801663	1	Cylinder head, exch	
	36010025	1	Cylinder head	
	3801745	1	Cylinder head	
	31460230	1	Cylinder head	
2	24426721	1	• Expansion plug	
3	982761	24	• Flange screw	M6x35mm
4	30670582	3	• Plug	
5	8631650	10	• Inlet valve	
	8631651	10	• Exhaust valve	
6	8631655	20	• Valve spring washer, lower	
7	8631652	20	• Valve stem seal	
8	31258132	20	• Valve spring	
9	8631654	20	• Valve spring washer, upper	
10	9454613	40	• Valve collet	
11	31251885	20	• Pivot	
12	8670045	20	• Tappet	
13	987740	5	Flange screw	
14	987494	12	Flange screw	
15	31430316	1	Valve cover	
16	31430317	1	• Gasket	
	30777600	1	• Gasket	Replaced by 31430317
	31430317	1	Gasket	
17	31216308	1	Pressure sensor	
18	986072	5	6 point socket screw	M6x25mm
19	8658726	1	Sensor	
20	30756062	1	O-ring	
21	31330189	1	Oil filler pipe	
22	30757159	1	O-ring	
23	3819129	1	Oil filler cap	
24	30677740	1	• O-ring	
25				Gasket (a) not valid for VP
	31392321	1	Cylinder head gasket	Hole 5 and b, Class 1
	31392322	1	Cylinder head gasket	Hole 4, 5 and b, Class 2
	31392323	1	Cylinder head gasket	Hole 3, 4, 5 and b, Class 3
	31392324	1	Cylinder head gasket	Hole 2, 3, 4, 5 and b, Class 4
	31392325	1	Cylinder head gasket	Hole 1, 5 and b, Class 5
26	1161059	X	Sealing compound	
27	30777636	12	Flange screw	M12x197mm
28	8631561	1	Sealing ring	
29	21806510	1	Lifting eye	
30	965181	2	Flange screw	M8x70mm
31	30777311	5	Glow plug	
32	987349	12	6 point socket screw	

D3-110I-H, D3-140A-H, D3-140I-H, D3-150I-H, D3-170A-H, D3-170I-H, D3-200A-H, D3-200I-H, D3-220A-H, D3-220I-H



D3-110I-H, D3-140A-H, D3-140I-H, D3-150I-H, D3-170A-H, D3-170I-H, D3-200A-H, D3-200I-H, D3-220A-H, D3-220I-H

REF	PART NO.	QTY	DESCRIPTION	NOTES
1	31330091	1	Sealing ring	
2	1256394	2	Guide sleeve	
3	30713237	1	Plug	
4	11996	1	Gasket	
5	1383730	2	Locating pin	
6	950542	2	Pin	
7	1366129	2	Guide sleeve	
8	8631501	1	Guide rail	
9	31368044	12	Screw	M10x117mm
10	987962	12	Flange screw	M8x70mm
11	21636474	1	Connection block	
12	21636477	1	Hollow screw	
13	21634021	1	Pressure sensor	
14	981749		Plug	
15	11994	2	Gasket	
16	1161771	1	Sealing compound	
17	31401266	5	Piston cooling jet	
18	982777	5	Flange screw	
19	22543924	1	Kit	
20	949657	1	• O-ring	
21	22468375	1	• Spring	Obsolete part
22	22448834	1	• Adapter	Obsolete part
23	22544033	1	• Piston cooling valve	
24	22448833	1	Cover	Replaced by 22716222
	22716222	1	Cover	
25	953036	1	Stud	
26	990939	1	Flange nut	