



User's Handbook



M92B



THE HEART OF EVERY GREAT MACHINE

Engine views

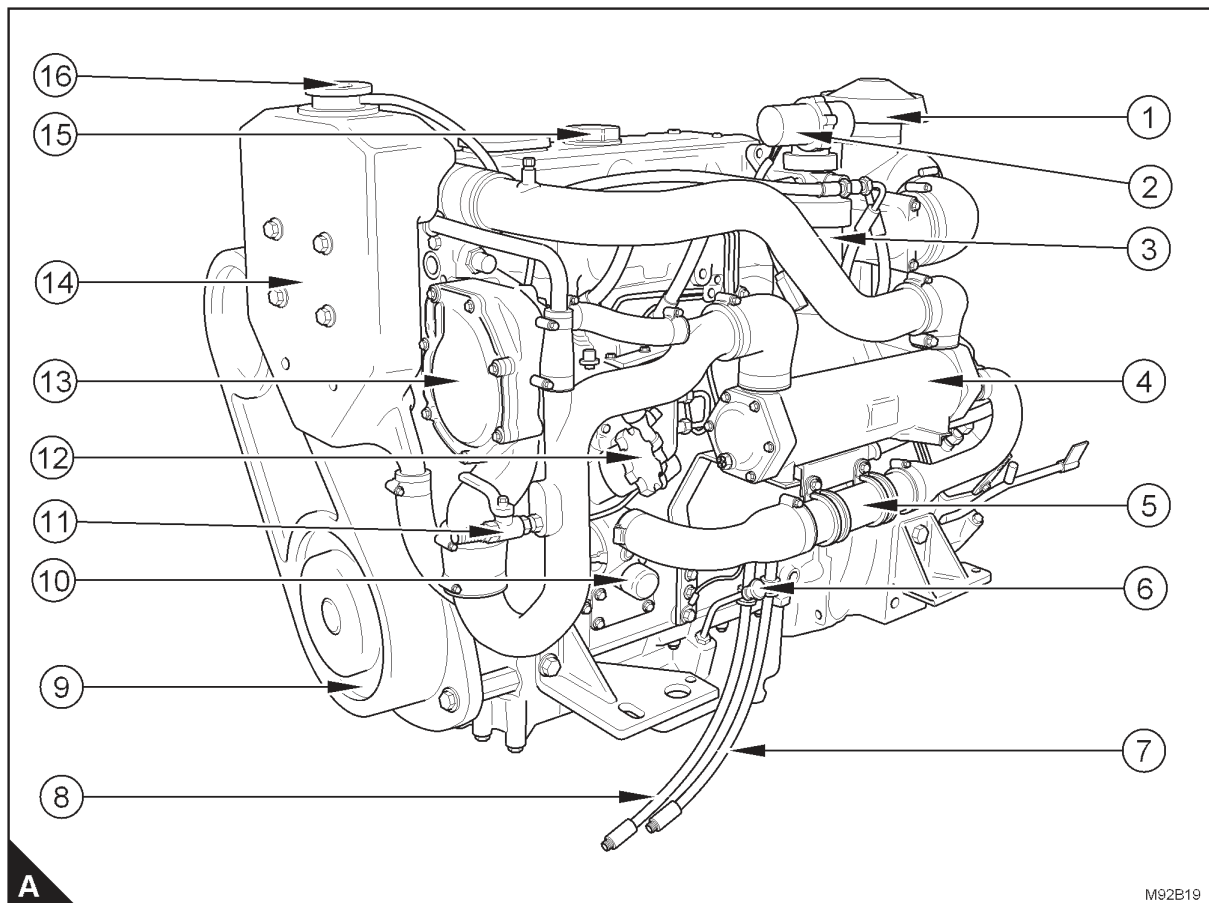
Introduction

Perkins engines are built for specific applications and the views that follow do not necessarily match your engine's specification.

Location of engine parts

Front and left side view (A) of the engine

- | | |
|-------------------------|---------------------------------|
| 1. Air cleaner | 9. Belt cover |
| 2. Electric fuel pump | 10. Raw water pump |
| 3. Fuel filter canister | 11. Calorifier fitting (return) |
| 4. Heat exchanger | 12. Oil filler cap |
| 5. Gearbox oil cooler | 13. Fresh water pump |
| 6. Dipstick | 14. Header tank |
| 7. Fuel inlet hose | 15. Oil filler cap |
| 8. Fuel return hose | 16. Fresh water filler cap |



M92B19