

# Nanni marine engine

## Operator's manual

Engines

**N4.40**

**N4.43HD**

**N4.47MD**

**N4.50**

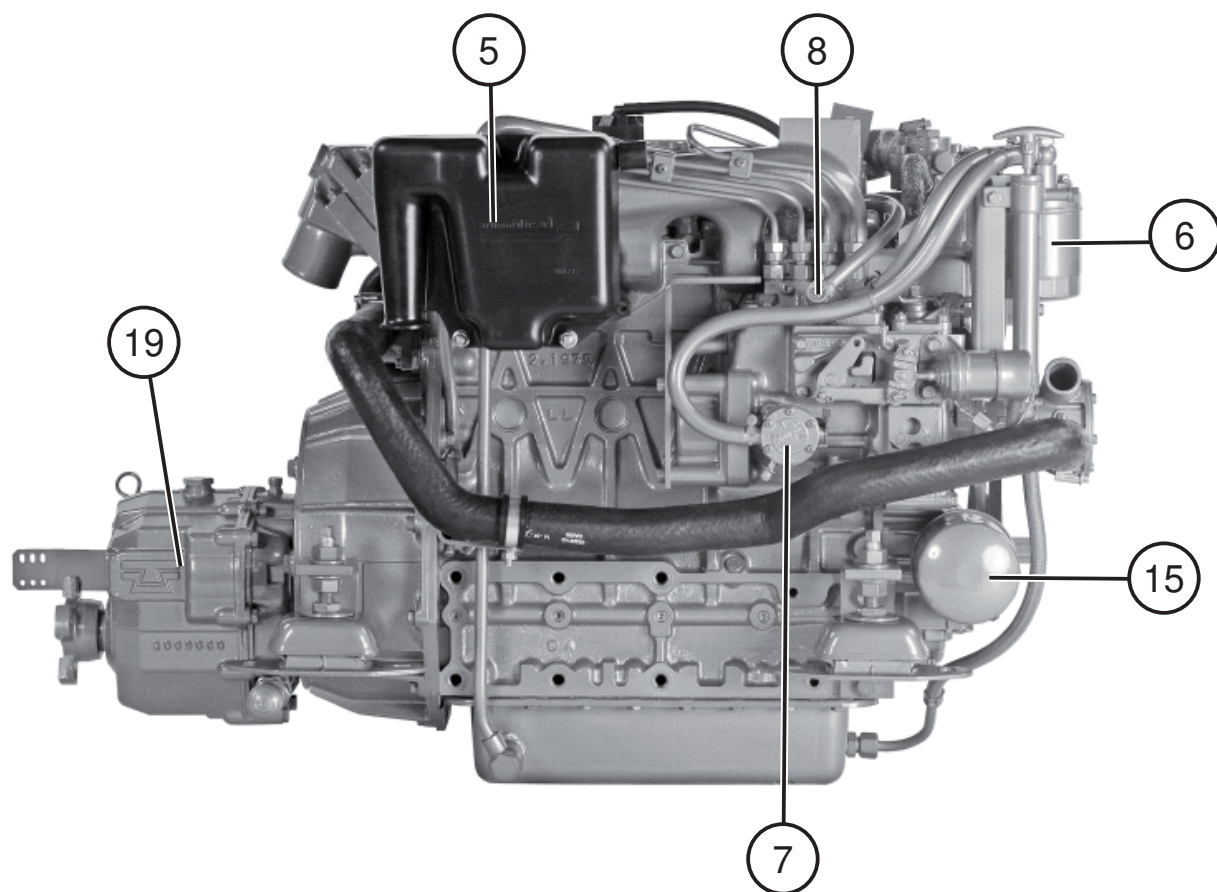
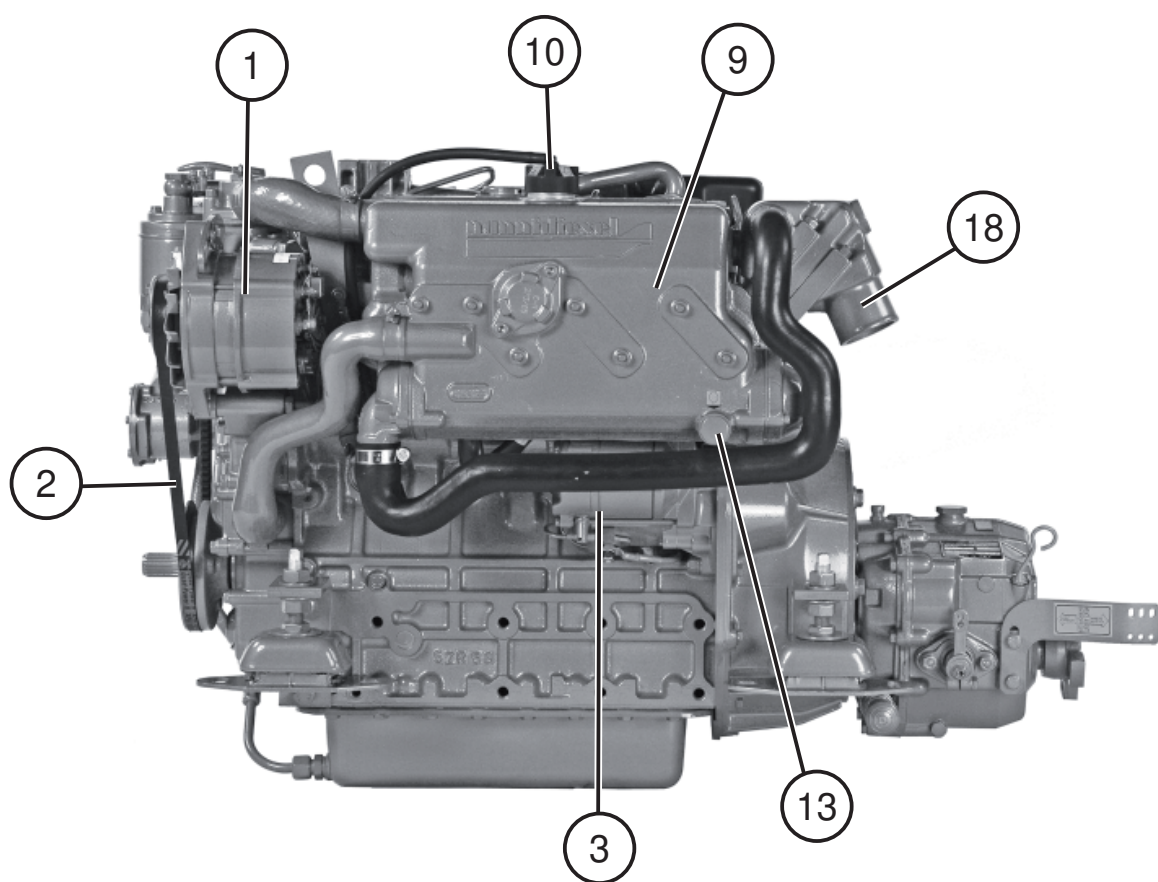


# 1

# CONTENTS

<b>Introduction .....</b>	<b>1</b>	<b>Maintenance .....</b>	<b>32</b>
About this manual .....	2	Service schedule.....	33
<b>Safety.....</b>	<b>3</b>	General inspection.....	35
Emergency kit .....	3	Fuel system .....	37
Safety alert symbols .....	3	Lubrication system .....	41
Safety icons .....	4	Cooling system .....	43
Safety precautions .....	5	Raw water system .....	47
<b>Overview .....</b>	<b>9</b>	Electrical system .....	51
About the engine .....	9	Battery .....	52
About the propeller .....	14	Corrosion protection .....	54
Behaviour of the boat .....	14	Long term storage .....	57
Engine main components .....	15	<b>Troubleshooting.....</b>	<b>59</b>
<b>Instruments panel.....</b>	<b>19</b>	<b>Technical data .....</b>	<b>61</b>
Standard panel .....	19		
Instrumentation .....	20		
<b>Operation .....</b>	<b>25</b>		
Before starting .....	25		
Starting the engine .....	26		
During operation .....	28		
Stopping the engine .....	30		

N4.40 / N4.43HD / N4.47MD / N4.50



N4.40 / N4.43HD / N4.47MD / N4.50

